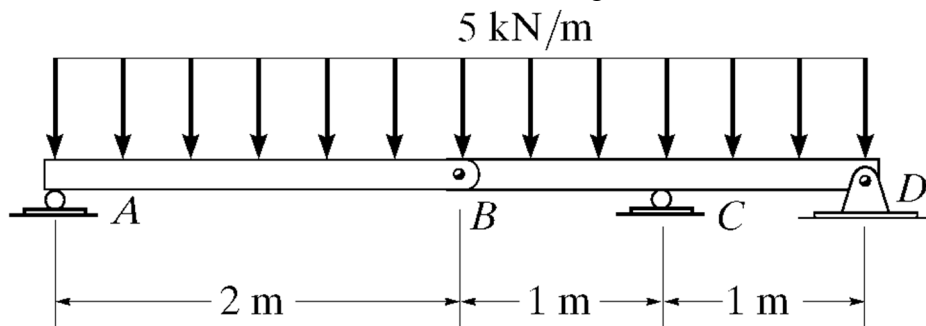
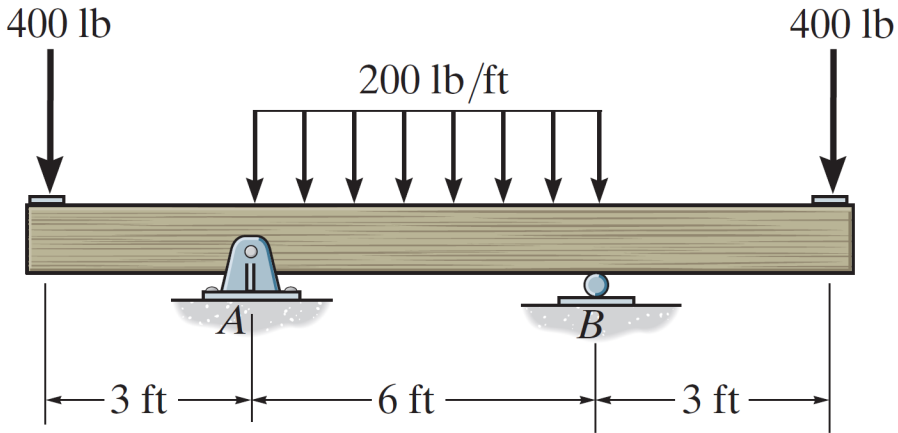


- 1) GIVEN: Compound beam with loading as shown. (H6.42)
REQ'D: 1) Shear and bending-moment diagrams by relations.
2) Maximum shear and bending moment.



- 2) GIVEN: Timber beam loaded as shown. (H6.39)
REQ'D: 1) Shear and bending-moment diagrams by relations.
2) Maximum shear and bending moment.



- 3) GIVEN: The 150-lb man sits in the center of the boat. The boat has a weight of 3 lb/ft.
REQ'D: Determine the maximum bending moment exerted on the boat. (H6.21)

