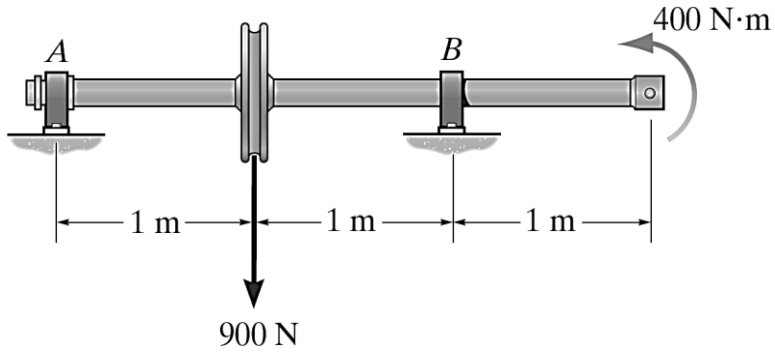


1) GIVEN: The shaft is supported by a smooth thrust bearing at A and smooth journal bearing at B.

REQ'D: Draw the shear and moment diagrams for the shaft and indicate the maximum shear and moment. (H6.33)



2) GIVEN: The 150-lb man sits in the center of the boat. The boat has a weight of 3 lb/ft.

REQ'D: Determine the maximum bending moment exerted on the boat. (H6.21)

