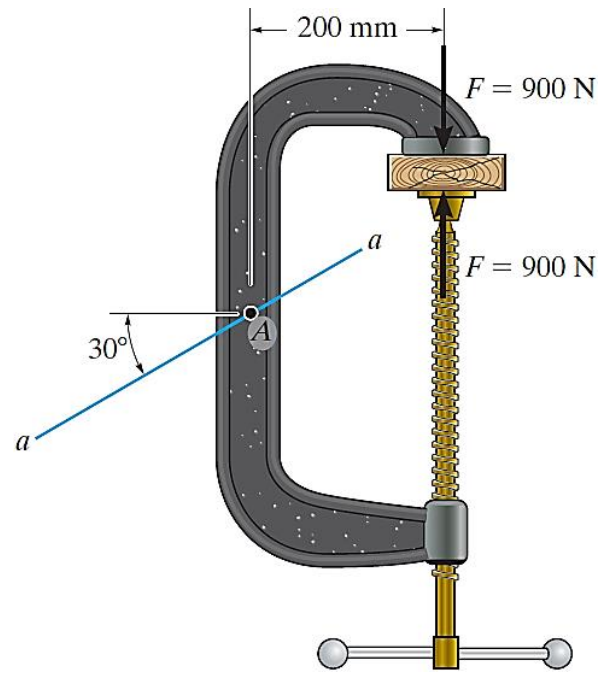
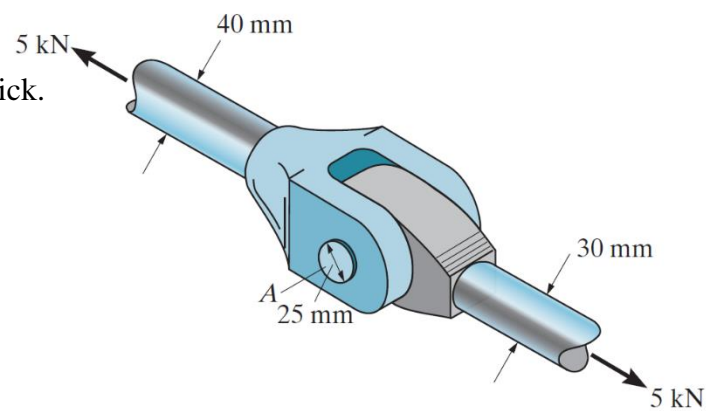


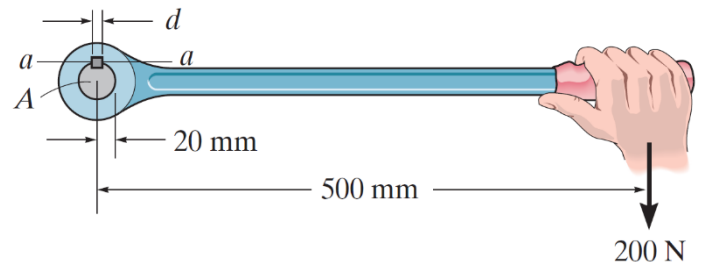
- 1) GIVEN: C-clamp loaded as shown.  
REQ'D: Internal loads at  $a-a$ .



- 2) GIVEN: Yoke-and-rod connection.  
REQ'D: a) Average normal stress in each rod.  
b) Average shear stress in pin.  
c) Bearing stress if the yoke leaves are  $20\text{ mm}$  thick.



- 3) GIVEN: Lever attached to shaft A with 25mm long key.  
 REQ'D: Key dimension  $d$  if  $\tau_{\text{allow}} = 35 \text{ MPa}$ .



- 4) GIVEN: Rope swivel constructed as shown.  $F = 500 \text{ lb}$   
 REQ'D: Shear stress in washer if it is 1/16 in thick.

