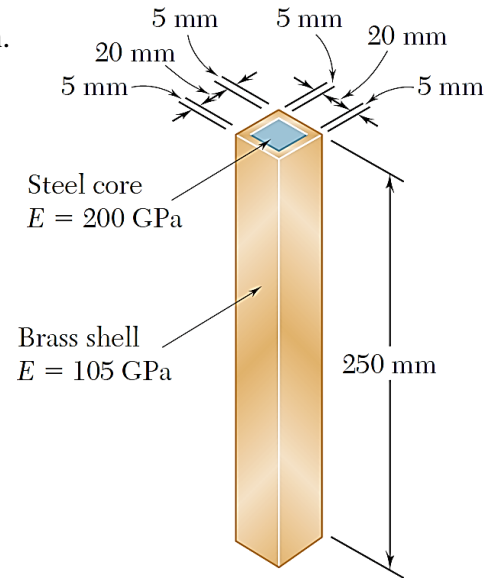


- 1) GIVEN: A centric axial force of 60 kN is applied to the assembly shown.  
 REQ'D: (a) Normal stress in the brass shell.  
 (b) Deformation of the assembly. (B9.25)



- 2) GIVEN: Two blocks of hard rubber are bonded to plate AB as shown.  
 $P = 6 \text{ kips}$  and  $G = 2.5 \text{ ksi}$ .  
 REQ'D: Vertical deflection of plate AB. (B9.62)

